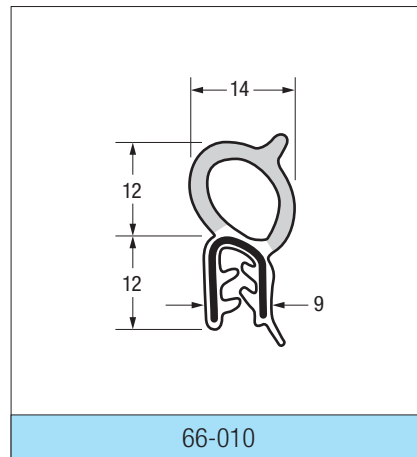
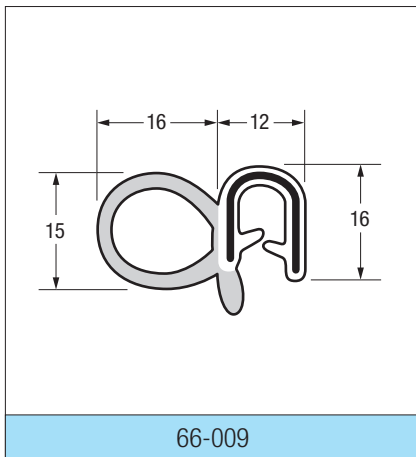
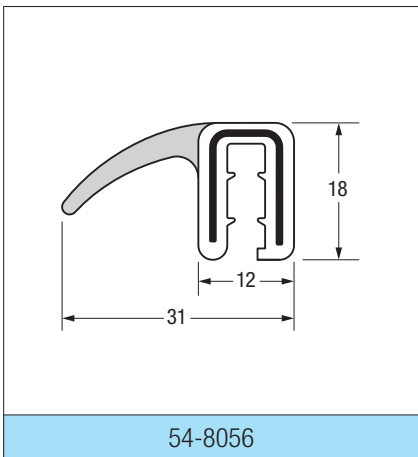
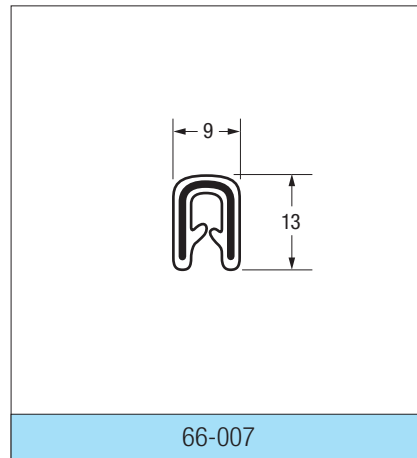
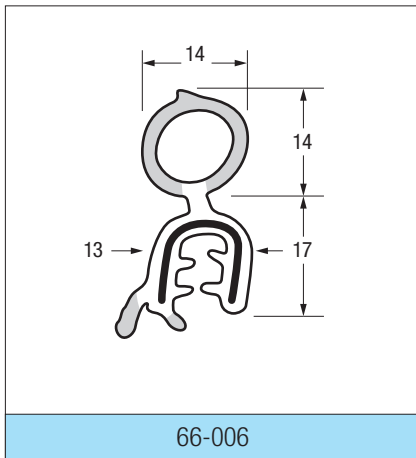
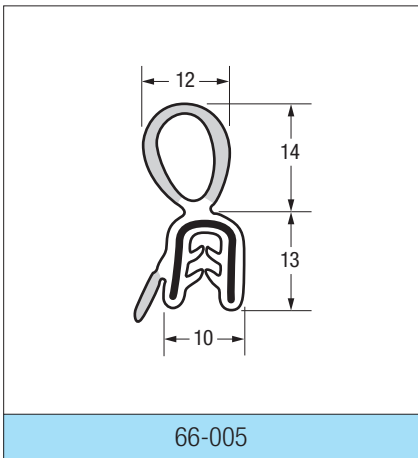
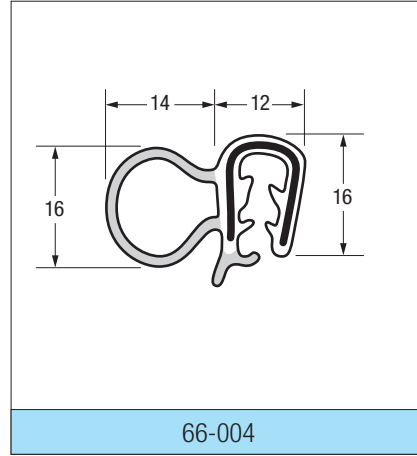
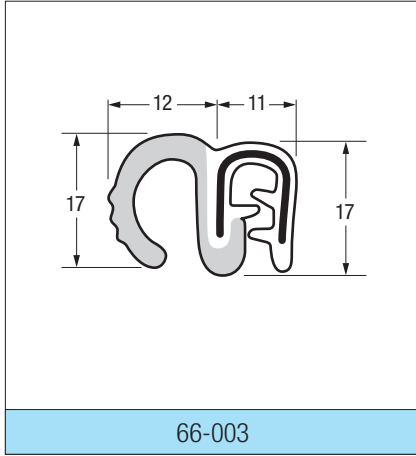
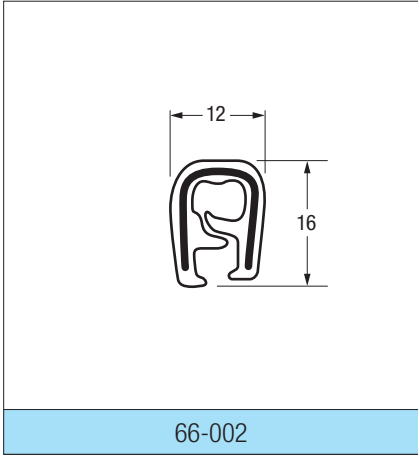


**Profiles**  
manufactured to  
customer specifications



**Precision profiles  
manufactured with high  
performance materials to  
customer specifications**

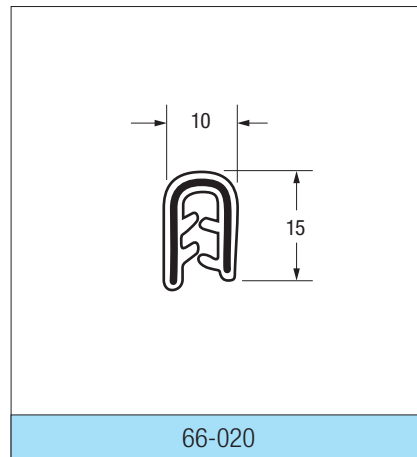
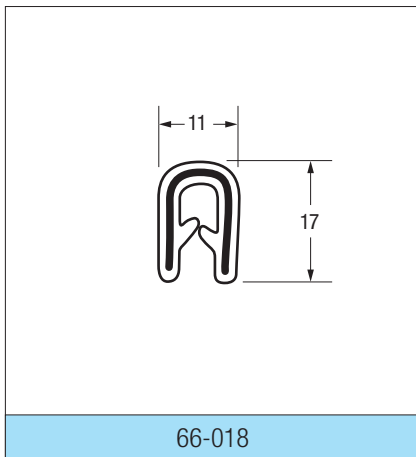
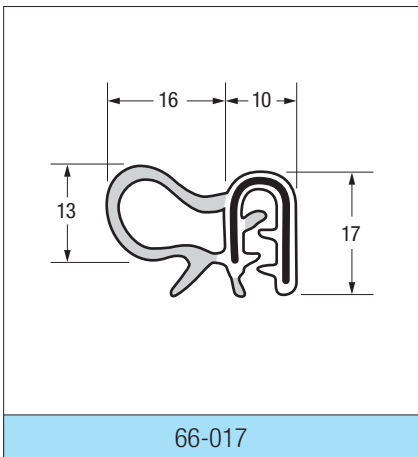
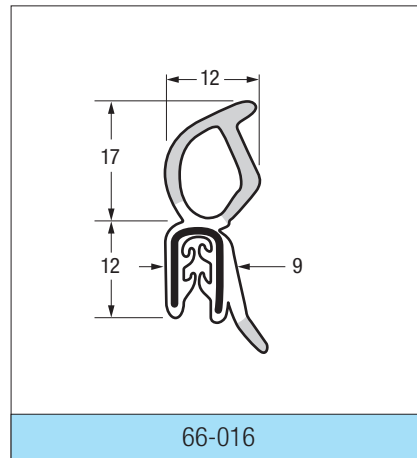
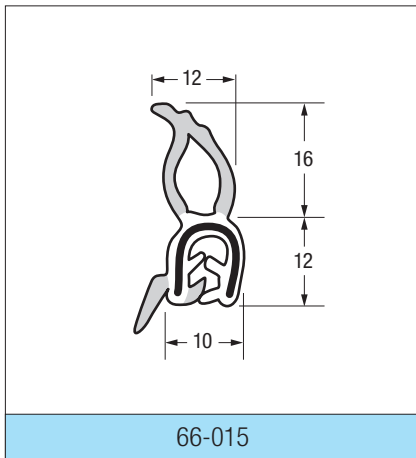
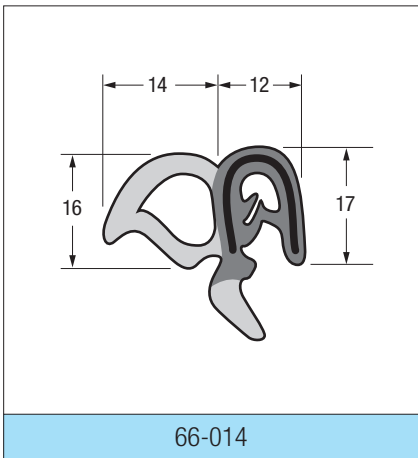
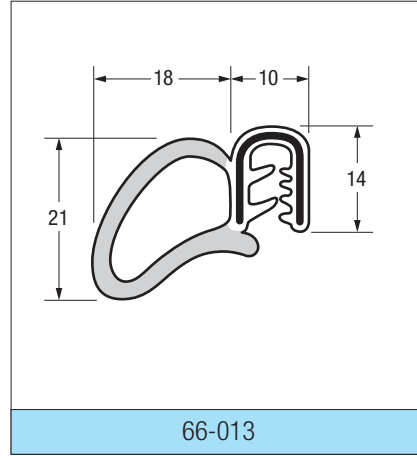
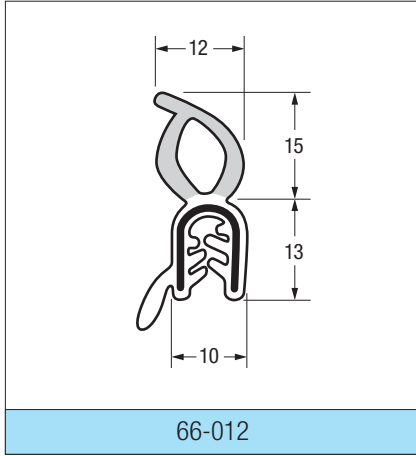
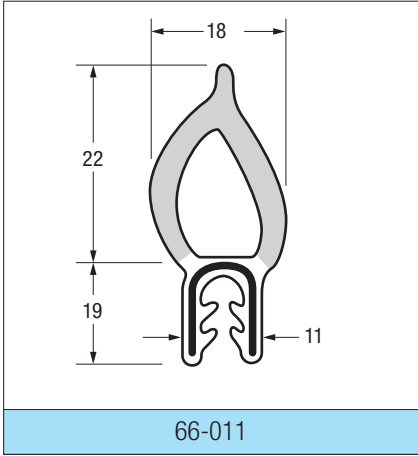




This is only a small selection of the profiles we produce.  
Please contact us for further information.

- Light grey = Sponge rubber
- White = Solid rubber / PVC
- Black = Steel insert

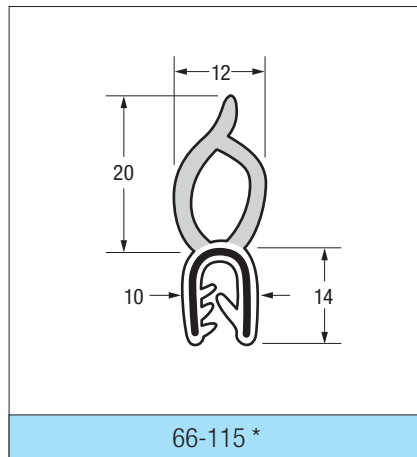
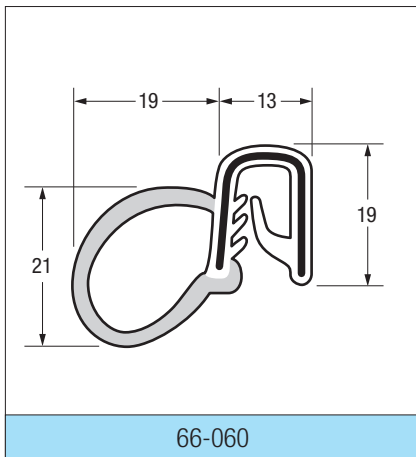
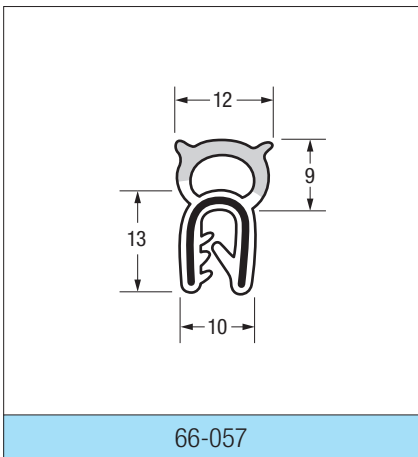
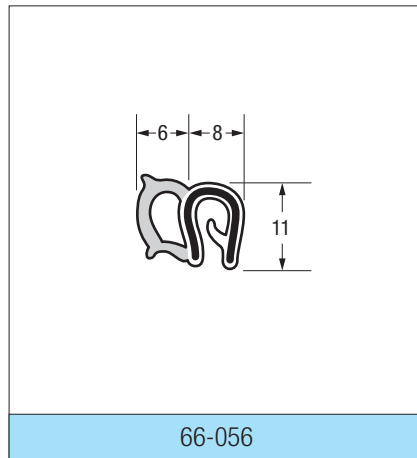
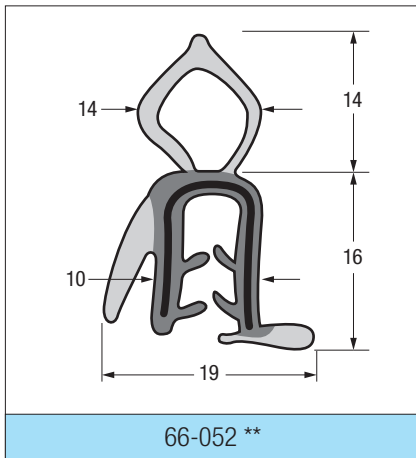
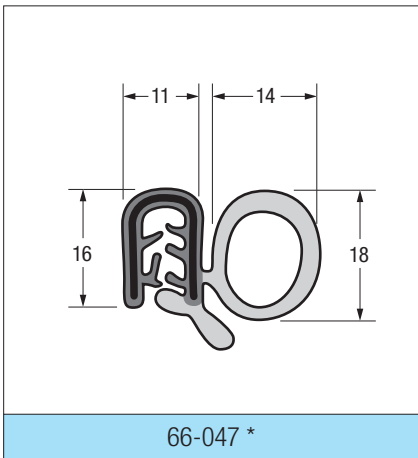
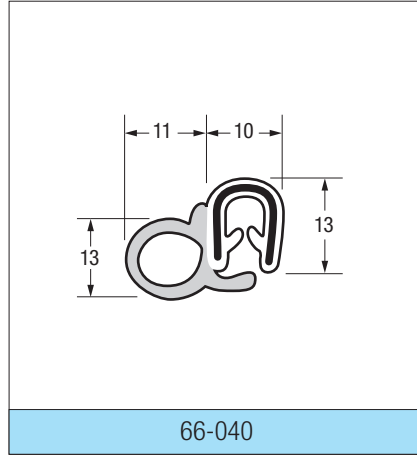
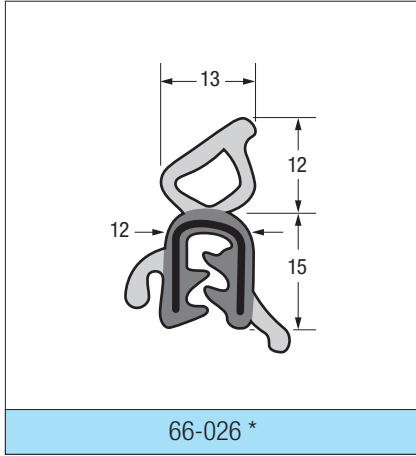
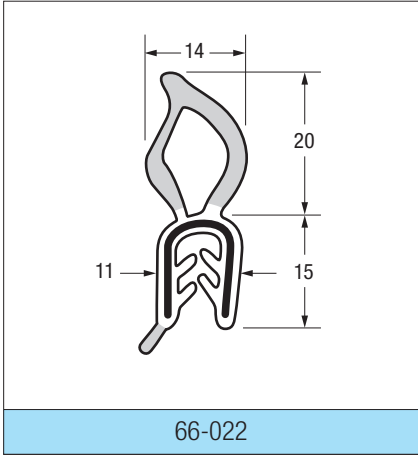
- \* Special order only
  - \*\* Includes wire cage for maximum stability
- All supplied in 50 metre coils



This is only a small selection of the profiles we produce.  
Please contact us for further information.

- Light grey = Sponge rubber
- White = Solid rubber / PVC
- Black = Steel insert

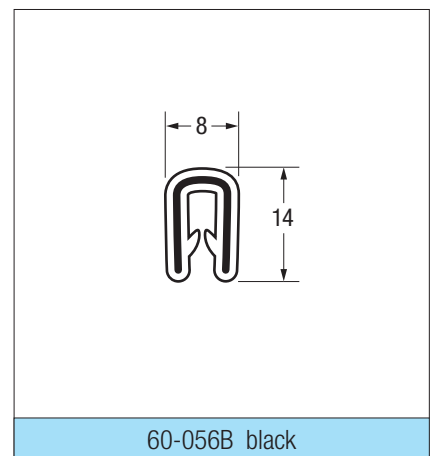
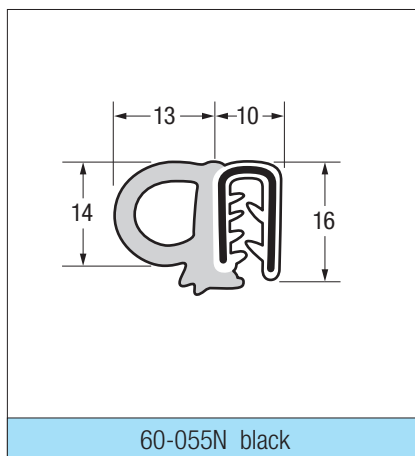
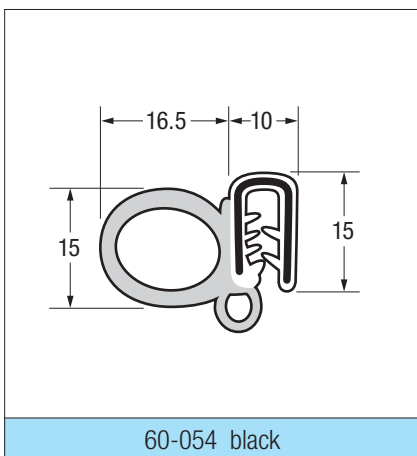
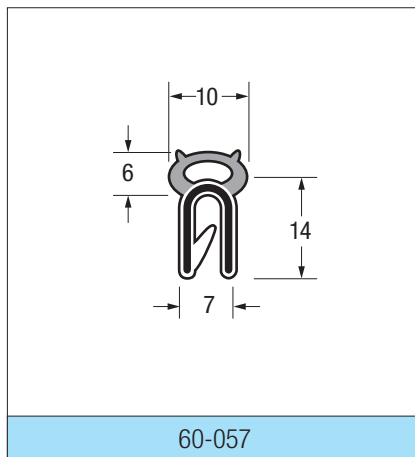
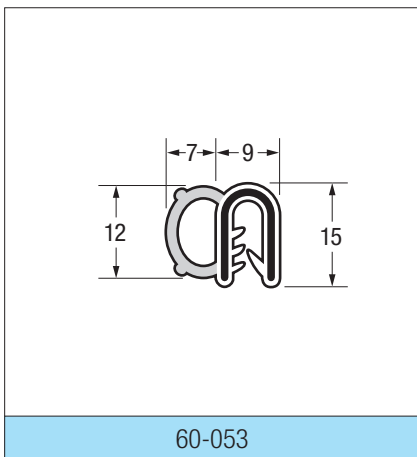
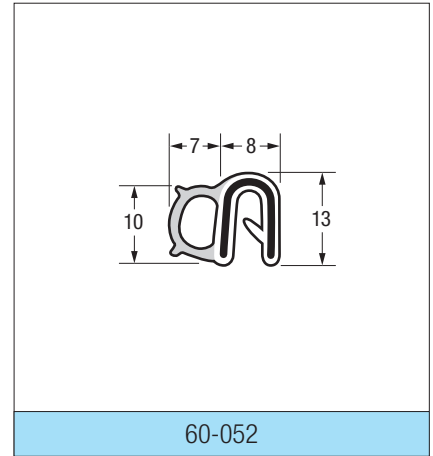
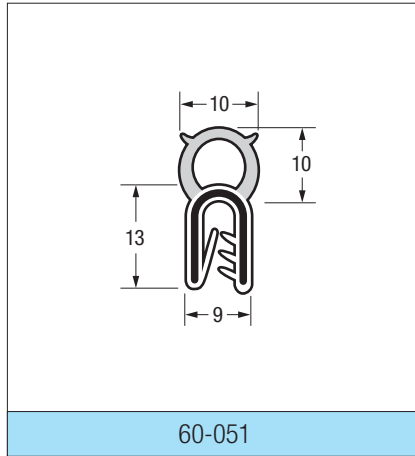
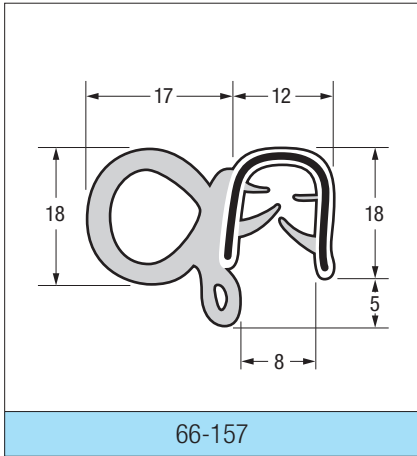
- \* Special order only
  - \*\* Includes wire cage for maximum stability
- All supplied in 50 metre coils



This is only a small selection of the profiles we produce.  
Please contact us for further information.

- Light grey = Sponge rubber
- White = Solid rubber / PVC
- Black = Steel insert

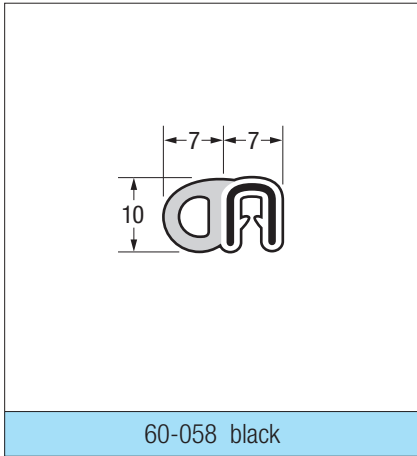
- \* Special order only
  - \*\* Includes wire cage for maximum stability
- All supplied in 50 metre coils



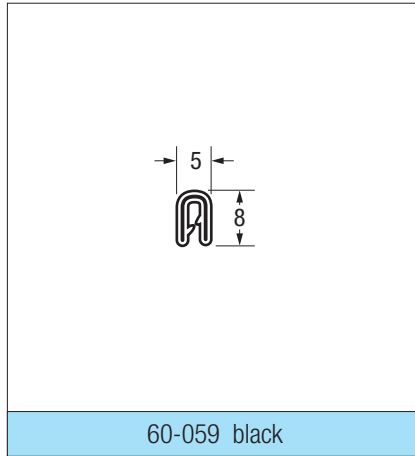
This is only a small selection of the profiles we produce.  
Please contact us for further information.

- Light grey = Sponge rubber
- White = Solid rubber / PVC
- Black = Steel insert

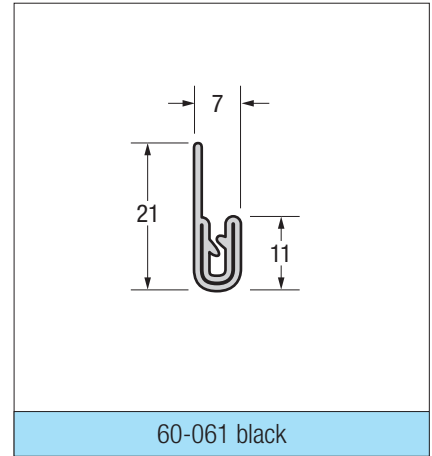
- \* Special order only
  - \*\* Includes wire cage for maximum stability
- All supplied in 50 metre coils



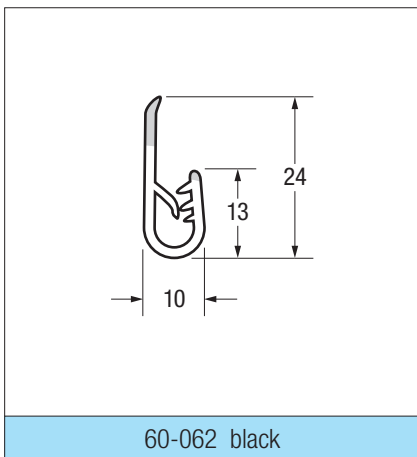
60-058 black



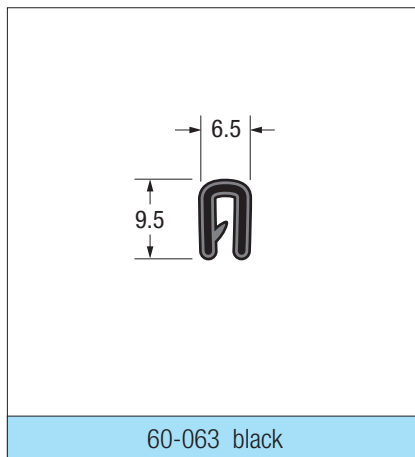
60-059 black



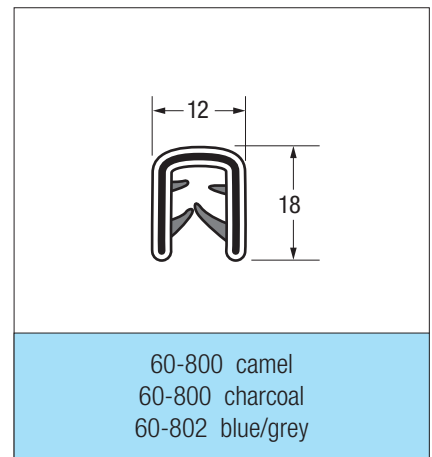
60-061 black



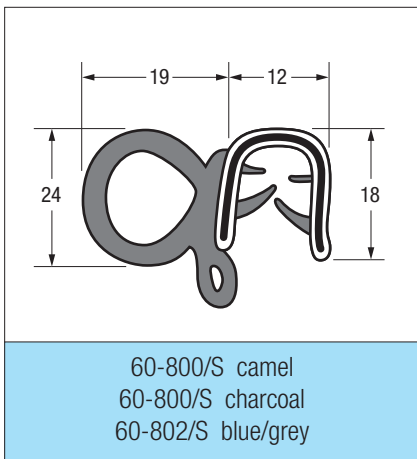
60-062 black



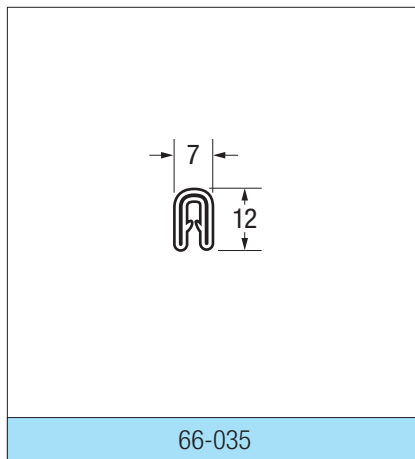
60-063 black



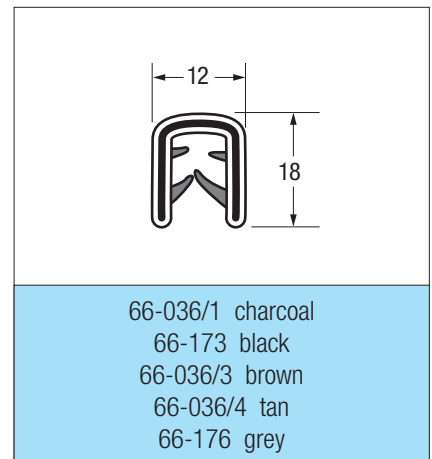
60-800 camel  
60-800 charcoal  
60-802 blue/grey



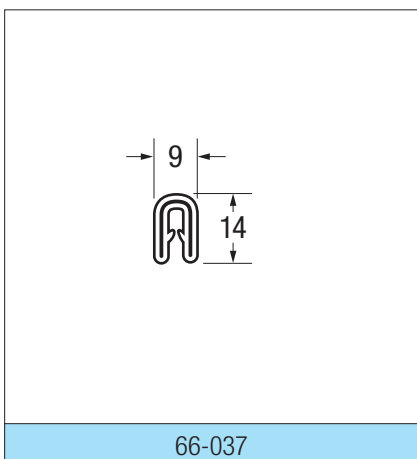
60-800/S camel  
60-800/S charcoal  
60-802/S blue/grey



66-035



66-036/1 charcoal  
66-173 black  
66-036/3 brown  
66-036/4 tan  
66-176 grey



66-037

## PVC/EPDM sponge fire retardation specification

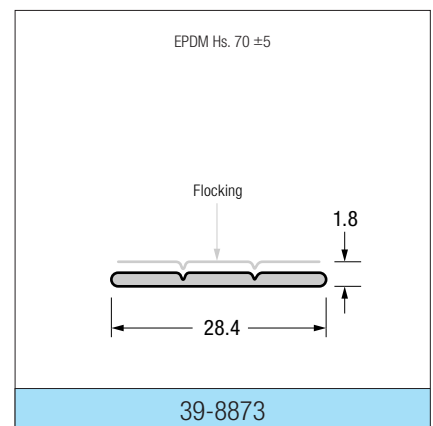
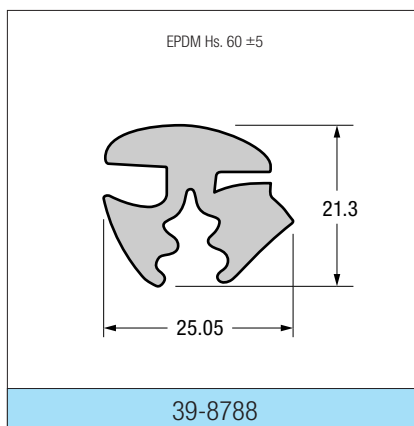
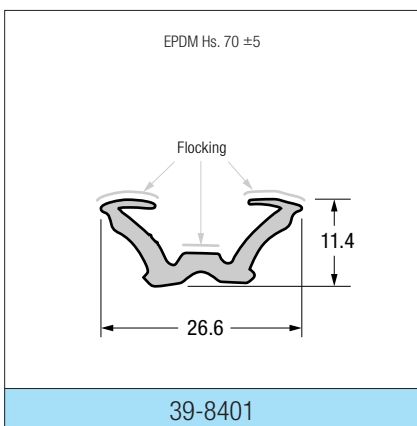
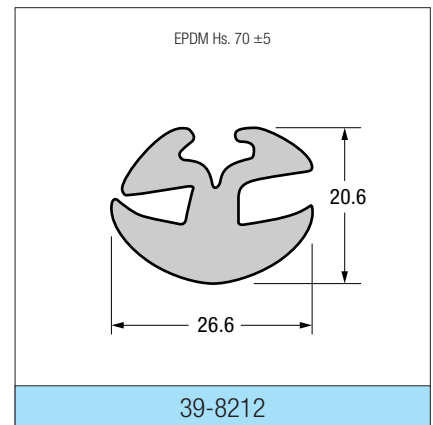
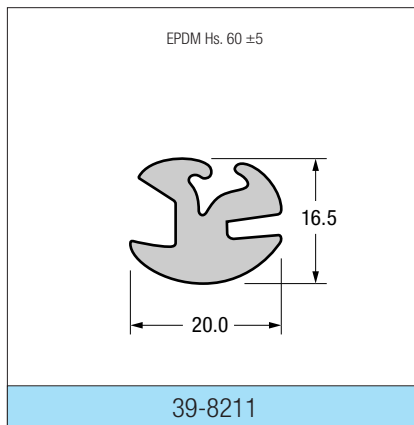
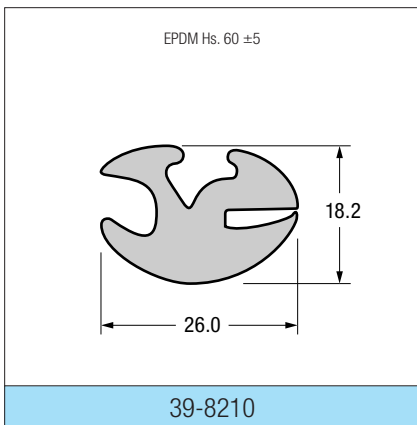
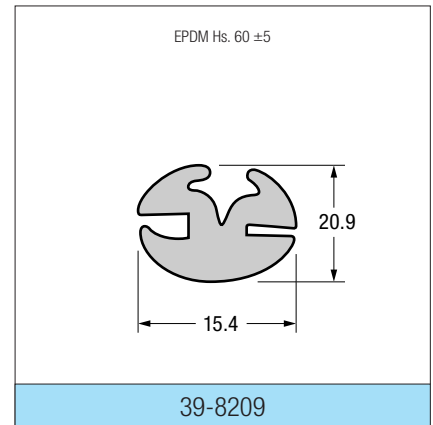
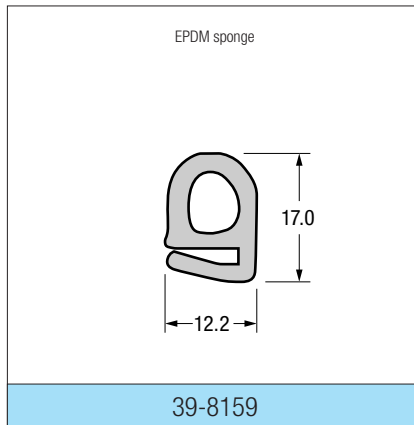
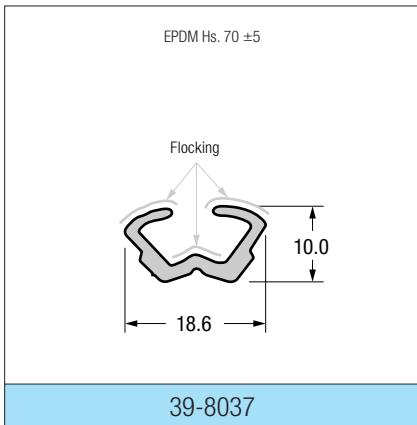
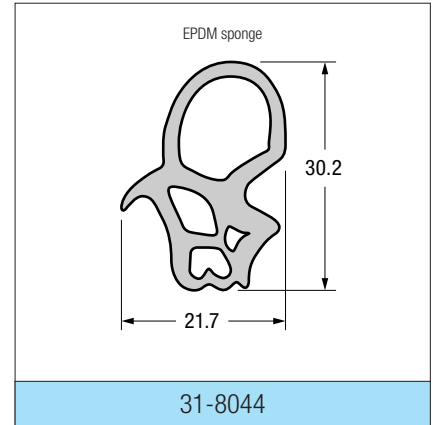
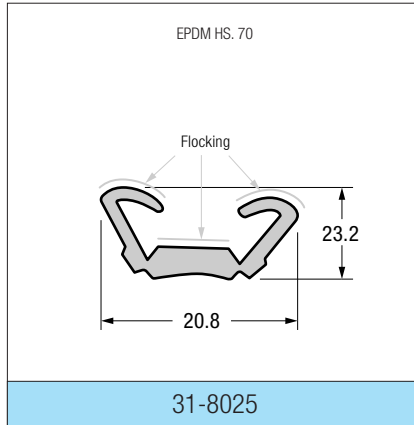
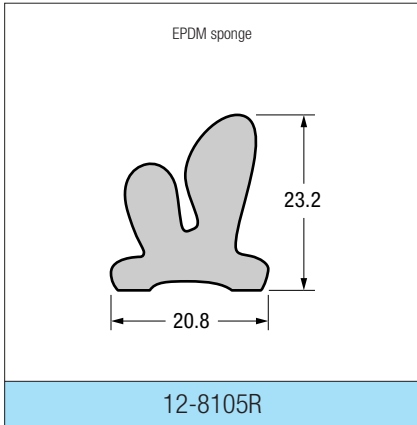
**EPDM sponge** 30-50mm/min. (spect max 100 mm/min for elastomers)

**PVC** 60-100mm/min (spect max 150mm/min for PVC plastics)

Both are defined as SEB (Self Extinguishing with Burn Rate)

PVC is a plastic and all plastics are deformed by heat.

Combustion gas off EPDM sponge is carbon dioxide white PVC produces water and some chlorine gasses.



This is only a small selection of the profiles we produce.  
Please contact us for further information.

- Light grey = Sponge rubber
- White = Solid rubber / PVC
- Black = Steel insert

- \* Special order only
- \*\* Includes wire cage for maximum stability
- All supplied in 50 metre coils



EPDM Hs. 80

51-8079

EPDM Hs. 80 ±5

51-8779

EPDM Hs. 80 ±5

51-8929

Material: PEPDM sponge

60-8402

Material:

64-8153

Material: PVC Silver

70-8001

Material: PVC Transparent

70-8003

Material: PVC Transparent

70-8005

Material: PVC Transparent

70-8012

This is only a small selection of the profiles we produce.  
Please contact us for further information.

- Light grey = Sponge rubber
- White = Solid rubber / PVC
- Black = Steel insert

- \* Special order only
  - \*\* Includes wire cage for maximum stability
- All supplied in 50 metre coils

Producing Profiles for the automotive sector requires skills, accuracy and state of the art equipment. Codan continually invest in new technology and production to secure the high quality demanded by our customers.

Door seals ready to install on the production line is key for the Automotive customers. High performance materials developed in accordance with customer specifications secures the best sealing and UV resistance. R&D, Production and QA work together to obtain efficient production processes, offering the customer the most reliable delivery at competitive prices.

The Automotive manufacturer need the body seal to fit at first try on the assembly line. Codan therefore employs an intensive prototyping process, utilizing 3D printed profiles for inspection and testing purposes, thus ensuring a correct fitting of the assembly.

## 2-COMPONENT CORNER MODULE

Accurate fixtures for quality control of corners, joints and clips are also included in the prototype, ensuring that the mass production of Body Seals will fit 100%.

Flocking, metal trim and inserts are incorporated for use in vehicles or construction equipment. Rubber door weather-strips are designed with the OEM and include moulded joints and fastening clips systems for production line vehicle assembly and cabin systems.

## PLASTIC PROFILE WITH CUSTOM DESIGNED FASTENER CLIP

Codan manufactures a multitude of profiles which a taylored to meet the exact tolerance requiered for an efficient assembly.

Many polymers, thermoplastic elastomers, foam rubbers and metal parts are used in combination to effect the greatest seal, expansion, grip or chemical resistance. Codan produces millions of metres of profile used in body sealing systems for the automotive industry. Rubber profiles and weather-strips are tailored to meet the exact profile dimensions of window and compartments in passenger cars, buses, trucks, agricultural and construction vehicles.

## 3-COMPONENT CORNER MODULE WITH STANDARD FASTENER CLIPS

It is possible to co-extrude a profile with up to three compounds, giving extensive options for combining materials, for the best possible performance.

This corner module is manufactured by joining an extruded profile with a moulded corner.

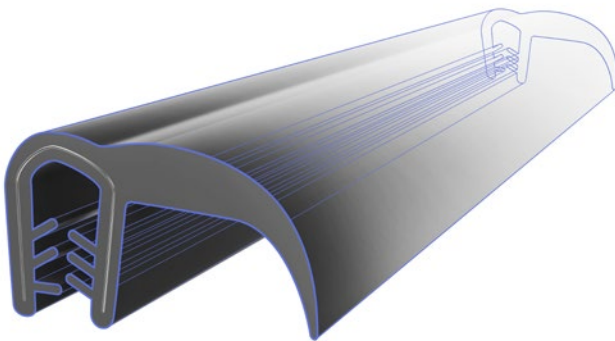




## AUTOMOTIVE BODY SEALS

Body seals are used throughout the vehicle on doors, hoods, sunroofs etc., providing essential all-weather sealing to protect from water and dirt or to function as acoustic dampening.

We also co-extrude profiles with up to three compounds, giving extensive options for combining materials, for the best possible performance. All materials are OEM approved compounds in EPDM and TPE.



*CAD drawing of prototype*



*Production line*

## INDUSTRIAL PROFILES

Profiles for the industrial sector have different requirements; unlike the automotive sector with its specific requirements for each component, this sector covers everything from washing mashines to facial masks. Profiles are used to seal off, and protect from contamination of foreign objects, keeping the compartment clean and dry. We can manufacture to suit any application, whether you require a simple rubber seal or a complex profile with a combination of materials with unique properties.

It is essential to use the correct seal in order for the window to close properly, the windmill to turn correctly and ensure that the machine is working at maximum efficiency. Our R&D department is able to accurately define the parameters for each component for optimum performance. Please contact Codan for more information.



**CODAN**



Codan Rubber A/S  
Værkstedvej 45-49  
DK-4600 Køge  
Denmark

Tel. +45 56 64 64 64  
Email: [info@codan.com](mailto:info@codan.com)

**CODAN.COM**